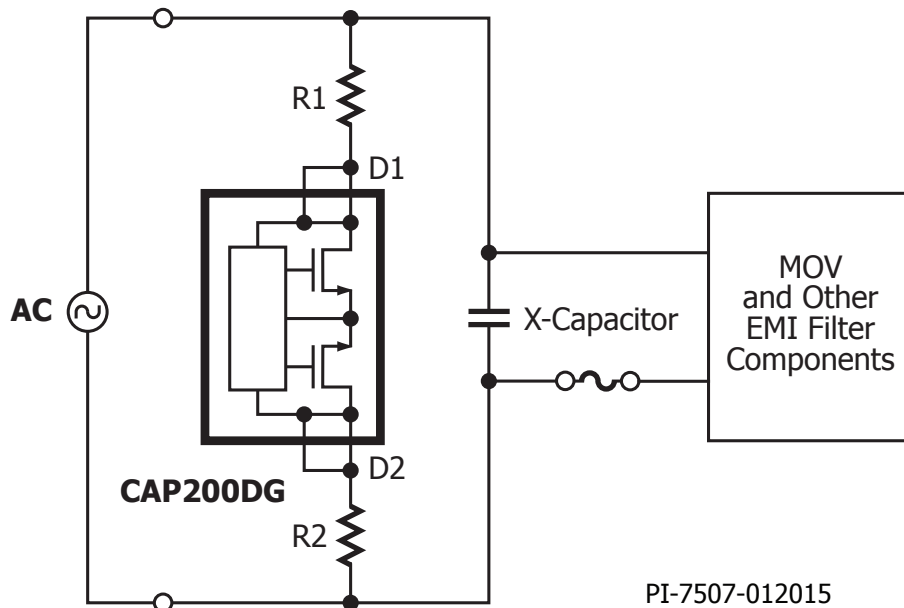




CAPZero™ -2

- Dramatically reduces no-load and standby power
- One part for 0.1 μF to 6 μF X-capacitor
- High-line surge immunity of 6 kV
- NEMKO and CB safety certifications

Zero-Loss Automatic X-Capacitor Discharge IC



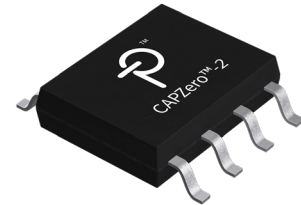
PI-7507-012015

Applications

- AC-DC converters with X-capacitors of 100 nF up to 6 mF
- Appliances requiring EuP Lot 6 compliance
- Adapters requiring ultra-low no-load consumption
- Converters requiring very low standby power
- Lossless generation of zero crossing signal

Output Power

Part Number	BV_{DSS}	Total X-Capacitance	Total Series Resistance (R1 + R2)
CAP200DG	1000 V	100 nF to 6 μ F	7.5 M Ω to 142 k Ω



SO-8 D Package

Design Support

Data Sheet	CAPZero-2 data sheet (www.power.com/capzero-2-data-sheet)
Application Note	CAPZero design considerations (AN-48) (www.power.com/an-48)
Design Example	45 W flyback converter with lossless zero crossing circuit (DER-581) (www.power.com/der-581)
Article	Reducing idle losses while meeting IEC 62368-1 using CAPZero-2 (A187) (www.power.com/capzero-2-a187)