

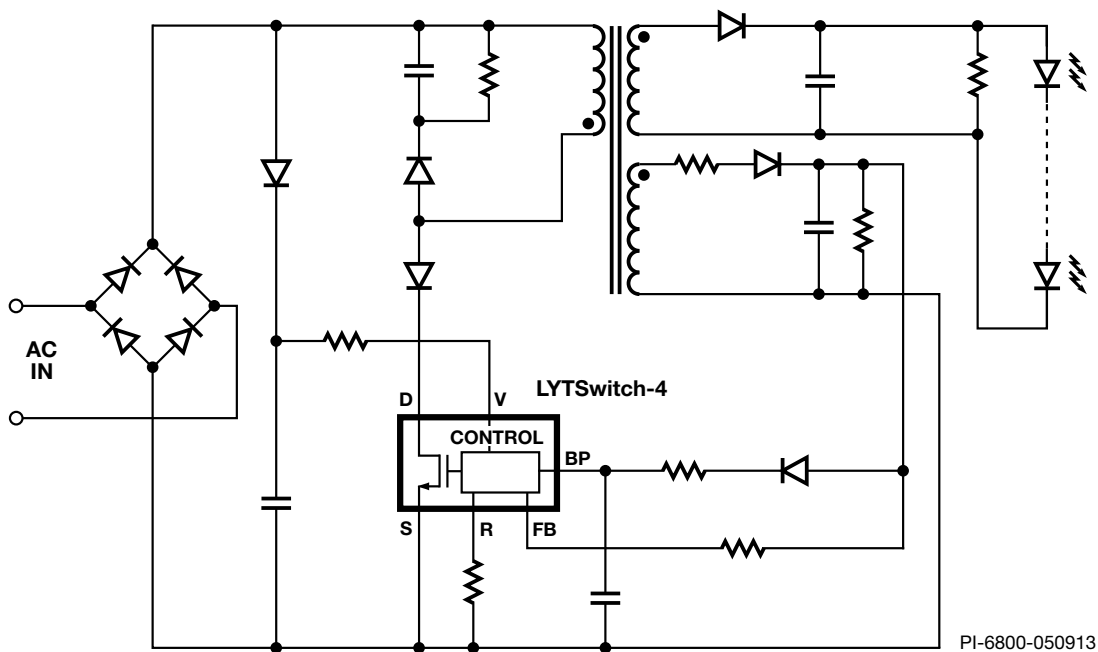
## LYTSwitch™-4



### Key Features

- PF >0.9 and THD <10%
- Highly efficient >90%
- TRIAC dimmable
- Supports isolated and non-isolated topologies

### High Power LED Driver IC Family



## Applications

- LED lighting (bulbs, tubes, downlights)
- External lighting
- Outdoor LED fixtures
- High bay / low bay

## Output Power

Product	Minimum Output Power (W)	Maximum Output Power (W)
LYT4x11E	2.5	12
LYT4x12E	2.5	15
LYT4x13E	3.8	18
LYT4x14E	4.5	22
LYT4x15E	5.5	25
LYT4x16E	6.8	35
LYT4x17E	8.0	50
LYT4x18E	18	78



eSIP-7C (E Package)

## Design Support

- Data Sheet LYTSwitch-4 data sheet ([www.power.com/lytswitch-4-data-sheet](http://www.power.com/lytswitch-4-data-sheet))
- Application Note LYTSwitch-4 design guide (AN-59) ([www.power.com/an-59](http://www.power.com/an-59))
- Design Example 20 W power factor corrected, non-isolated, TRIAC dimmable LED driver (DER-445) ([www.power.com/der-445](http://www.power.com/der-445))